



Electrolux
PROFESSIONAL

**Modular Cooking Range Line
700XP 6-Hot Plates Electric Boiling
Top Range**

ITEM # _____

MODEL # _____

NAME # _____

SIS # _____

AIA # _____



371019 (E7ECELR00)

700XP 6 HOT PLATE
ELECTRIC BOILING TOP
2.6kW - 400V

Short Form Specification

Item No. _____

To be installed on open base installations, bridging supports or cantilever systems. Six 2.6 kW cast-iron hot plates hermetically sealed to the one-piece top. Exterior panels in stainless steel with Scotch Brite finish. One piece pressed work top in 1.5 mm thick stainless steel. Right-angled side edges to allow flush-fitting junction between units.

Main Features

- Unit to be mounted on open base cupboards, bridging supports or cantilever systems.
- The six 2.6kW cast-iron plates are hermetically sealed to the one-piece top.
- The special design of the control knob system guarantees against water infiltration.
- IPx4 water protection.
- Suitable for countertop installation.

Construction

- All exterior panels in Stainless Steel with Scotch Brite finishing.
- One piece pressed 1.5 mm work top in Stainless steel.
- Model has right-angled side edges to allow flush fitting joints between units, eliminating gaps and possible dirt traps.

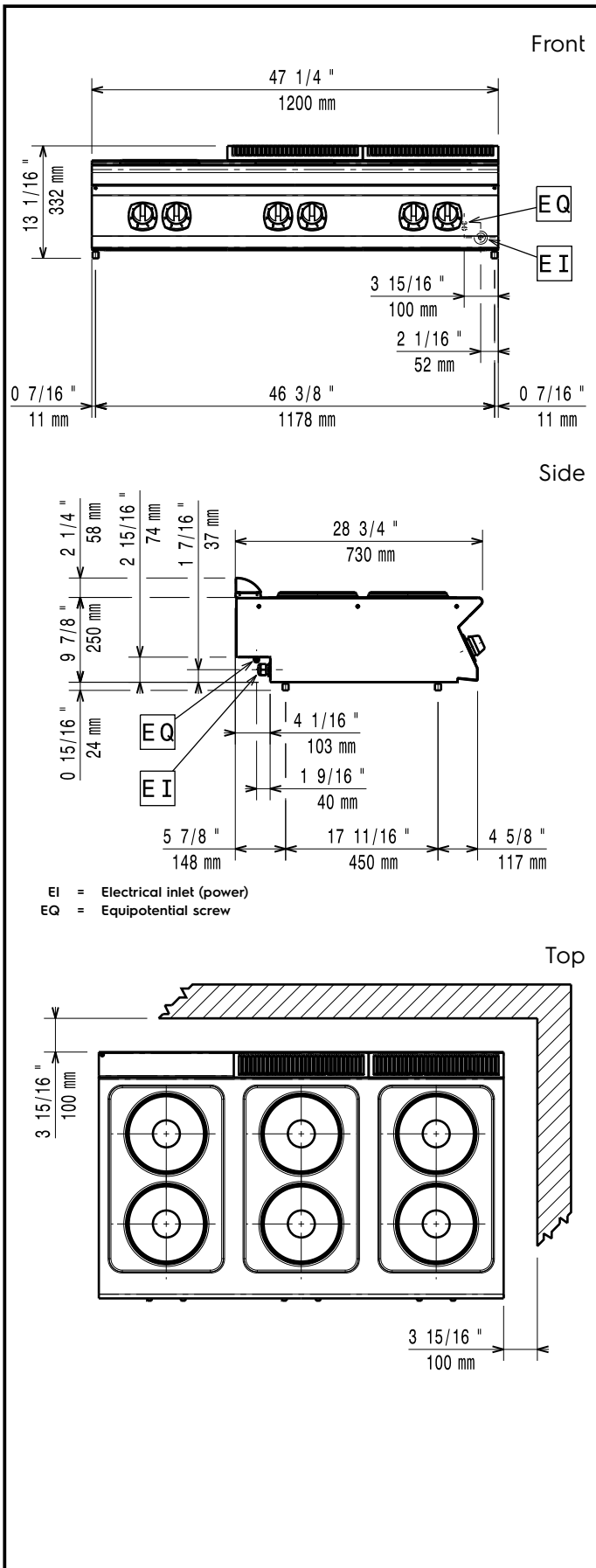
Optional Accessories

- Junction sealing kit PNC 206086
- Support for bridge type system, 1200mm PNC 206139
- Support for bridge type system, 1400mm PNC 206140
- Support for bridge type system, 1600mm PNC 206141
- Water column with swivel arm (water column extension not included) PNC 206289
- Water column extension for 700 line PNC 206291
- Chimney upstand, 200mm PNC 206302
- Chimney upstand, 800mm PNC 206304
- Right and left side handrails PNC 206307
- Chimney grid net, 400mm PNC 206400
- Frontal handrail 1200mm PNC 216049
- Frontal handrail 1600mm PNC 216050
- 2 side covering panels for top appliances PNC 216277
- Deflector for floured products for 15lt fryers PNC 921696

APPROVAL: _____



Experience the Excellence
www.electroluxprofessional.com



Electric

Supply voltage: 380-400 V/3 ph/50-60 Hz
Total Watts: 15.6 kW

Key Information:

If appliance is set up or next to or against temperature sensitive furniture or similar, a safety gap of approximately 150 mm should be maintained or some form of heat insulation fitted.

Net weight: 60 kg
Shipping weight: 56 kg
Shipping height: 540 mm
Shipping width: 830 mm
Shipping depth: 1300 mm
Shipping volume: 0.58 m³
Certification group: EH76T
Front Plates Power: 2.6 - 2.6 kW
Back Plates Power: 2.6 - 2.6 kW
Front Plates dimensions: Ø 230 Ø 230
Back Plates dimensions: Ø 230 Ø 230